

Terminal diagram Remote 1000

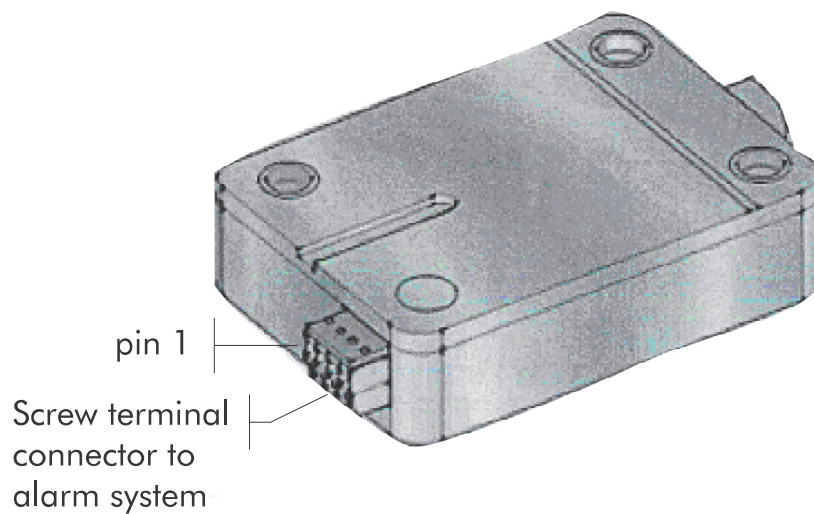


Fig. 1: Screw terminal connector

1 Features

- R 1000 can be directly activated by alarm systems or external devices providing 5-12 VDC ($\pm 10\%$) power – typical 300-600 mA (depending on input voltage)
- When power is applied to the lock, motor turns to open position and turns back when power is off
- Lock features internal mechanical bolt switch to be monitored by the alarm system (N.C.) or to trigger motor off when bolt opens

2 Terminal diagrams

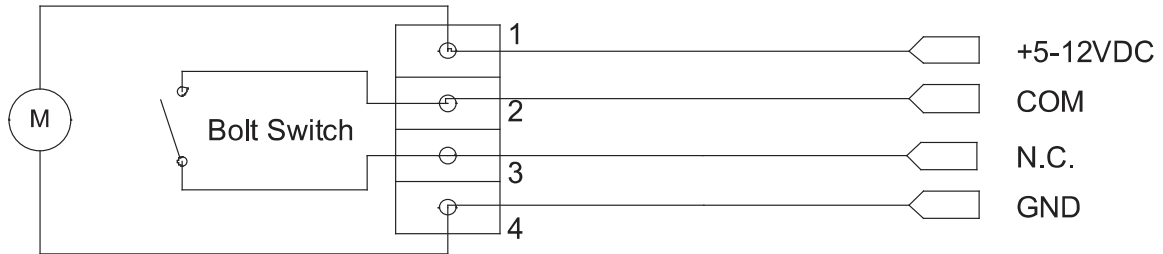


Fig. 2: Direct activation with bolt status monitoring (lock closed \Rightarrow switch closed)

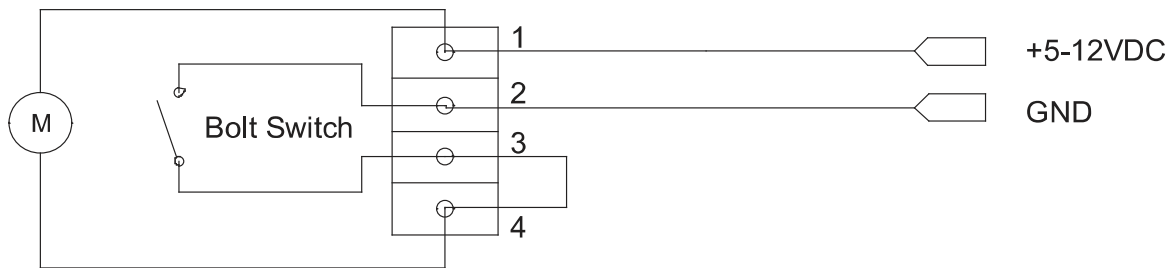


Fig. 3: Direct activation with bolt status monitoring (lock closed \Rightarrow switch closed)

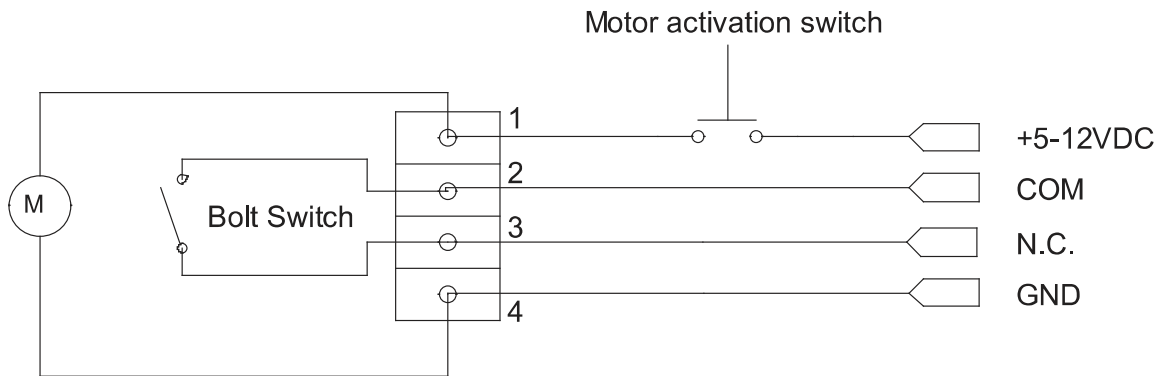


Fig. 4: Direct power supply through motor activation additional switch and bolt status monitoring (lock closed \Rightarrow switch closed)

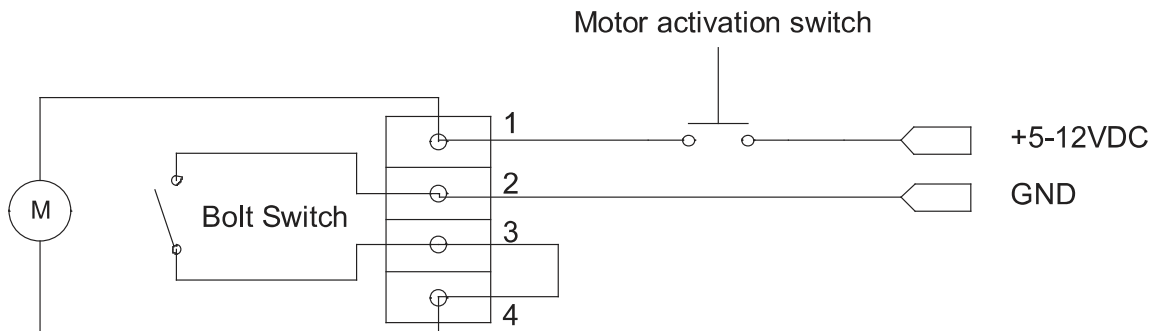


Fig. 5: Direct power supply through motor activation additional switch and bolt status triggering motor-off when lock opens (lock closed \Rightarrow switch closed)