

# Installation instructions

## PrimorSignal plus



### 1 General instructions

- Please read the operating instructions carefully, before activating the lock.

#### 1.1 Liability notes

- The mounting of the signal box has to be carried out according to the installation instruction.
- We point out that this installation instruction is part of the VdS-certification and non-compliance leads to the loss of this certification.
- The signal box has to be protected against external attacks.
- Do not insert any lubricants or other substances into the signal box .

### 2 PrimorSignal plus installation

The control unit PrimorSignal plus connects the lock system with a superior control e.g. a danger alert system, burglar alarm system etc.

Notes:

- The lock system is power supplied by the burglar alarm system. (nominal voltage 12 VDC - permitted range: 9-15 VDC, 400mA), clamp 20 (+) und 21 (-) )
- **Note: Remove the battery from the input unit.**
- In cases of power cuts a battery can be used to power supply the input units RO and FS for emergency openings. For the input unit FL the emergency opening is possible via the emergency power supply contacts.

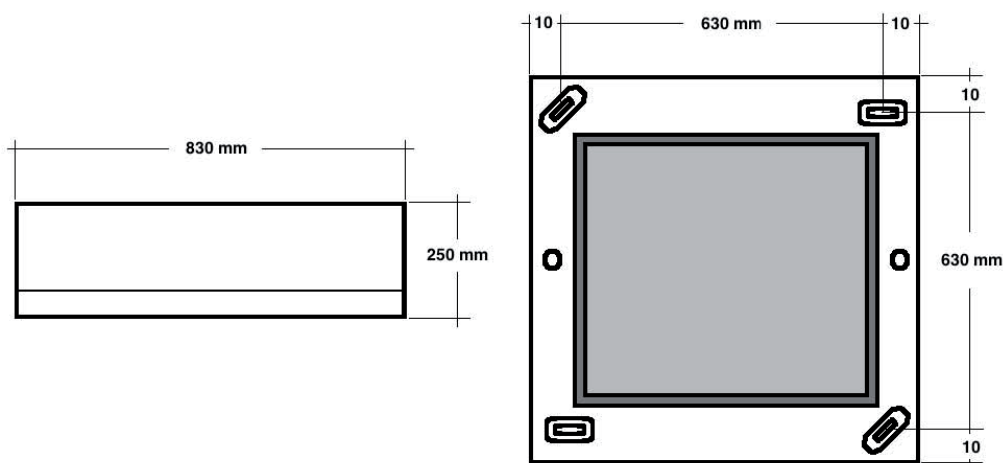


Fig. 1: Dimensions control unit PrimorSignal plus

**3 Configuration plan**

The output cable must be connected to "BAT" connector placed on the lock (Primor 3000 - connction 2).

