



IVOX series

Operating instructions

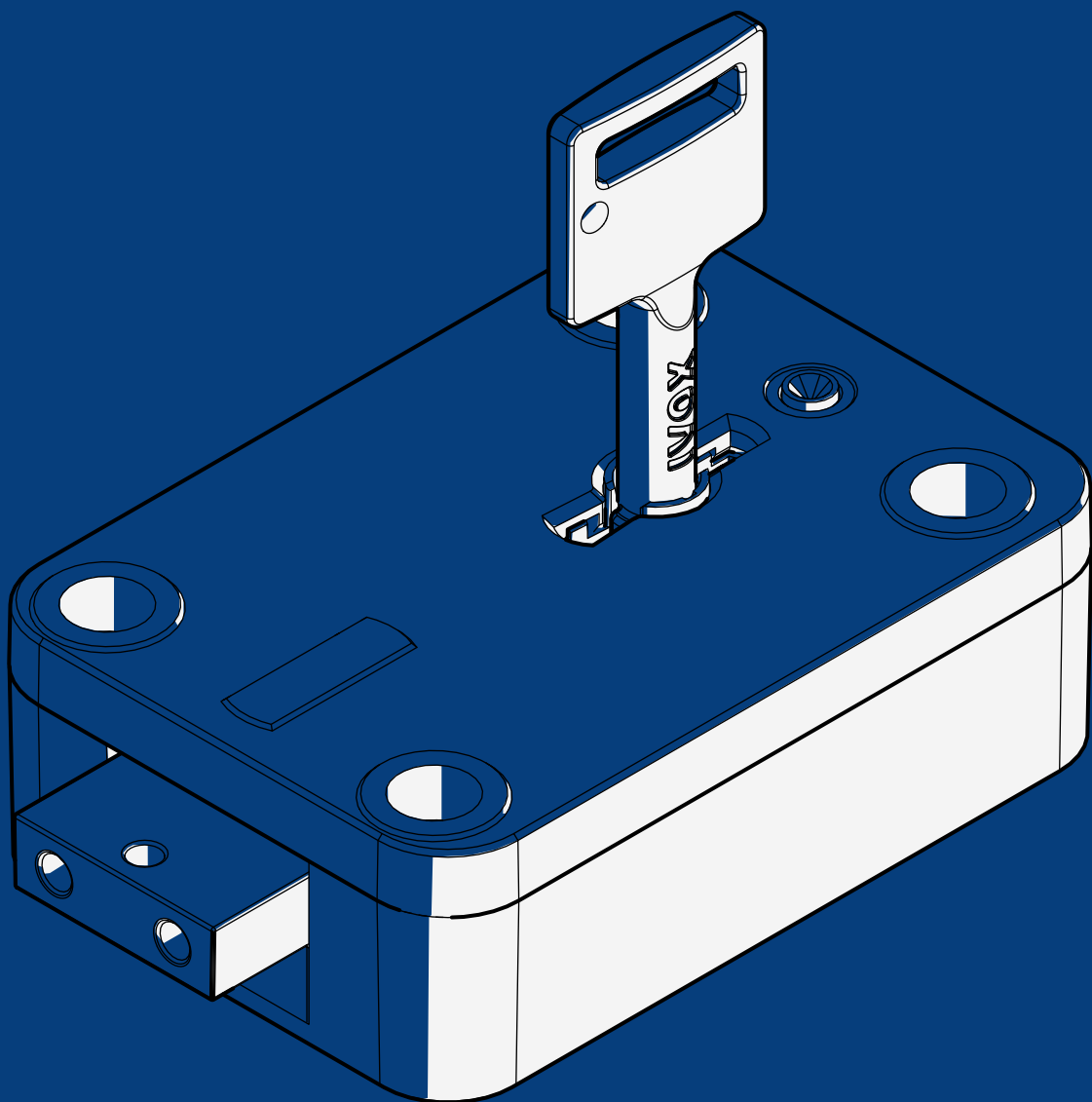


Table of contents

• General Information.....	03
• Security advice.....	03
• Opening	03
• Closing.....	03
• Maintenance and care.....	04
6. Troubleshooting	04
7. Disclaimer	05

In the following table, you will find a variant overview of the IVOX product groups:

Type numbers	Product group
4.19.95	1995
4.19.97	1997
4.19.97.A	1997A
4.19.98	1998

Please take the time to read this operating instructions carefully before using the lock.

1. General Information

- The lock operates smoothly. Be sure to turn the key evenly and with appropriate force to avoid damaging the locking mechanism.
- When opening the vault door, always use the handle and not the key to prevent overload and key breakage.
- Do not use damaged keys to open the lock, as this can lead to damage to the lock.

2. Security advice

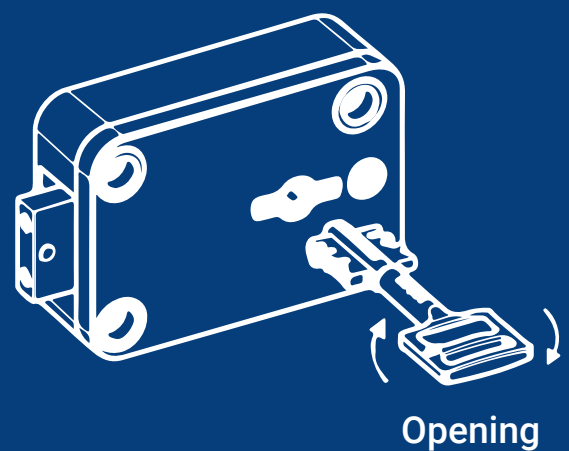
- Ensure that a key is never left unattended in the lock.
- Avoid storing additional keys inside the safe.
- Always store the keys in a secure location and ensure that only authorized individuals have access to them.
- If a key is lost, replace the lock immediately to ensure security.

3. Opening

- Insert the key fully into the keyhole.
- Turn the key all the way to the right (approximately 130°) to open the lock.
- Note that the safe keys are not removable when the lock is in the open position.

4. Closing

- Turn the key back to the starting position.
- Remove the key and ensure that the safe door is securely locked before storing the key in a safe place.



5. Maintenance and care

- The IVOX lock is maintenance-free.
- Lubrication of the lock is not allowed. Do not use oils or greasy substances, as they can attract dirt and cause mechanisms to seize.
- Avoid using damp or oily cleaning agents, as they could damage the locking mechanisms.
- Regularly inspect the safe keys for wear or damage. Worn-out or bent keys might not operate the lock correctly anymore and could potentially cause damage to the lock. In such cases, we recommend getting a replacement key made.

6. Troubleshooting

While mechanical safe locks are generally highly reliable, occasional issues may arise. Below are some potential difficulties and possible solutions outlined to assist you in resolving them.

The key won't turn or is stuck:

- Ensure you are using the correct key designed for the safe lock.
- Make sure the key is inserted correctly into the keyhole and there are no obstructions hindering the turning process.
- Inspect the key for damages or signs of wear.
- Consider using a spare key, if available.
- If the key doesn't work with a spare key either, the lock might be damaged and should be repaired or replaced.

The key has broken off:

- Avoid attempting to forcibly remove the broken part of the key, as it could damage the lock.
- Instead, contact the safe manufacturer or a safe technician to safely extract the broken key part and repair or replace the lock.

The lock is stiff or jammed:

- Dirt or deposits might be the cause. Gently clean the keyhole and key to remove any dust or dirt.
- If the issue persists, it's advisable to have the lock professionally serviced or repaired.

If you continue to experience problems with the safe lock despite the provided solutions, or if the issue seems complex, we suggest contacting the safe manufacturer or a certified professional (safe technician) to address the problem correctly. Unauthorized attempts at repair could lead to further damage and compromise the safe's security. A list of WITTKOPP service partners can be found on our website.

7. Disclaimer

The lock must only be installed by qualified personnel and opened by the manufacturer to ensure proper functionality. Any unauthorized opening of the lock will result in the voiding of all warranty claims.

Any warranty or guarantee for the safe lock becomes void if the lock is mishandled, modified, or repaired by unauthorized personnel.

The manufacturer assumes no liability for any damage, loss or injury resulting from improper handling, installation, repair, or use of the safe lock.

The manufacturer takes no responsibility for the loss of valuables or documents stored within the safe secured with the safe lock. It is the user's responsibility to take appropriate security measures and regularly inspect the correct operation of the lock.



Ivox series

Operating instructions

Carl WITTKOPP GmbH

Am Lindenkamp 57 • D-42549 Velbert

Telephone: +49 (0)2051 9566 0

Email: info@carl-wittkopp.com

